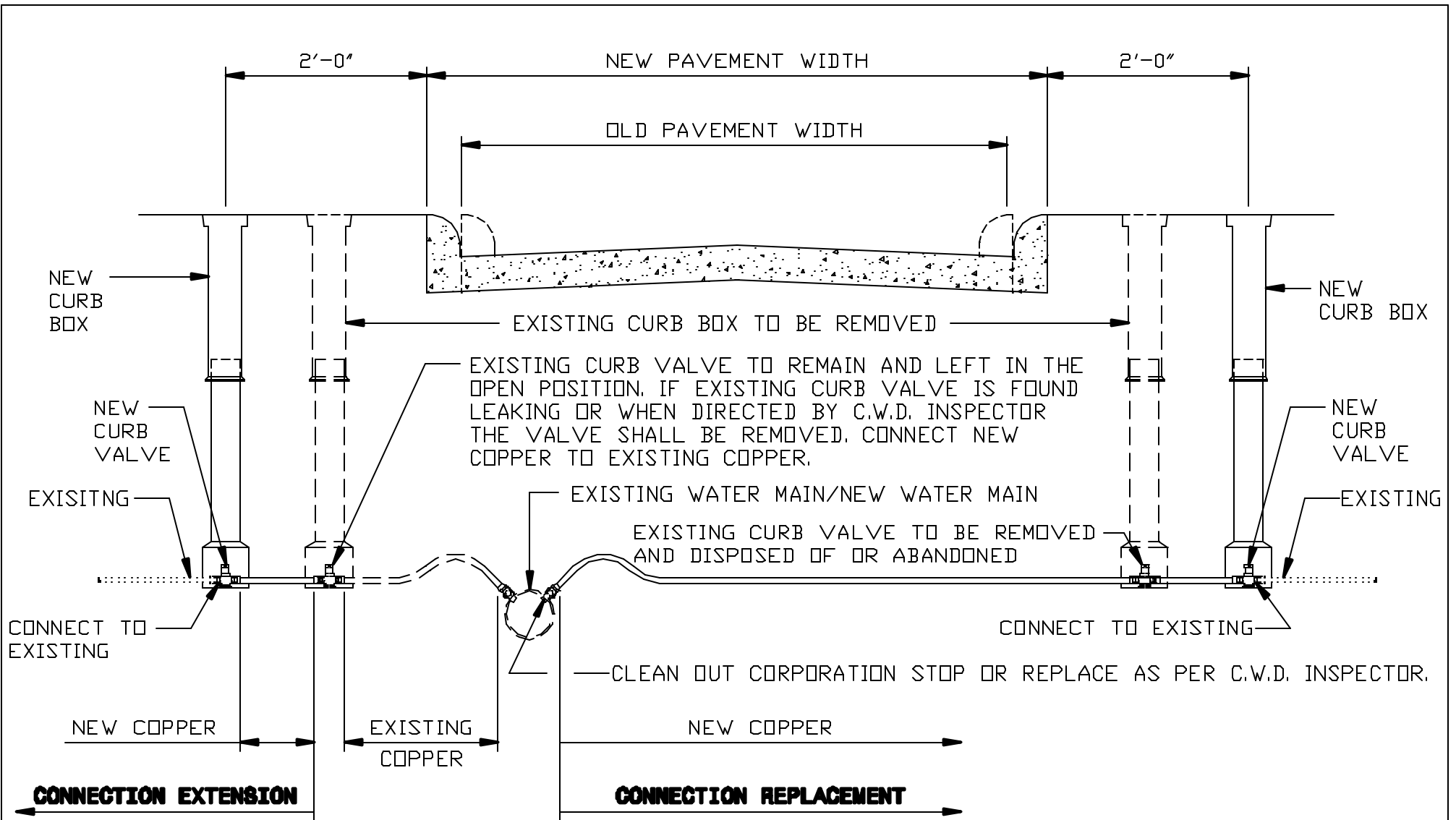


CLEVELAND DIVISION OF WATER CONSTRUCTION STANDARDS

SEE ALSO SERVICE
CONNECTION
REQUIREMENTS FOR MORE
INFORMATION

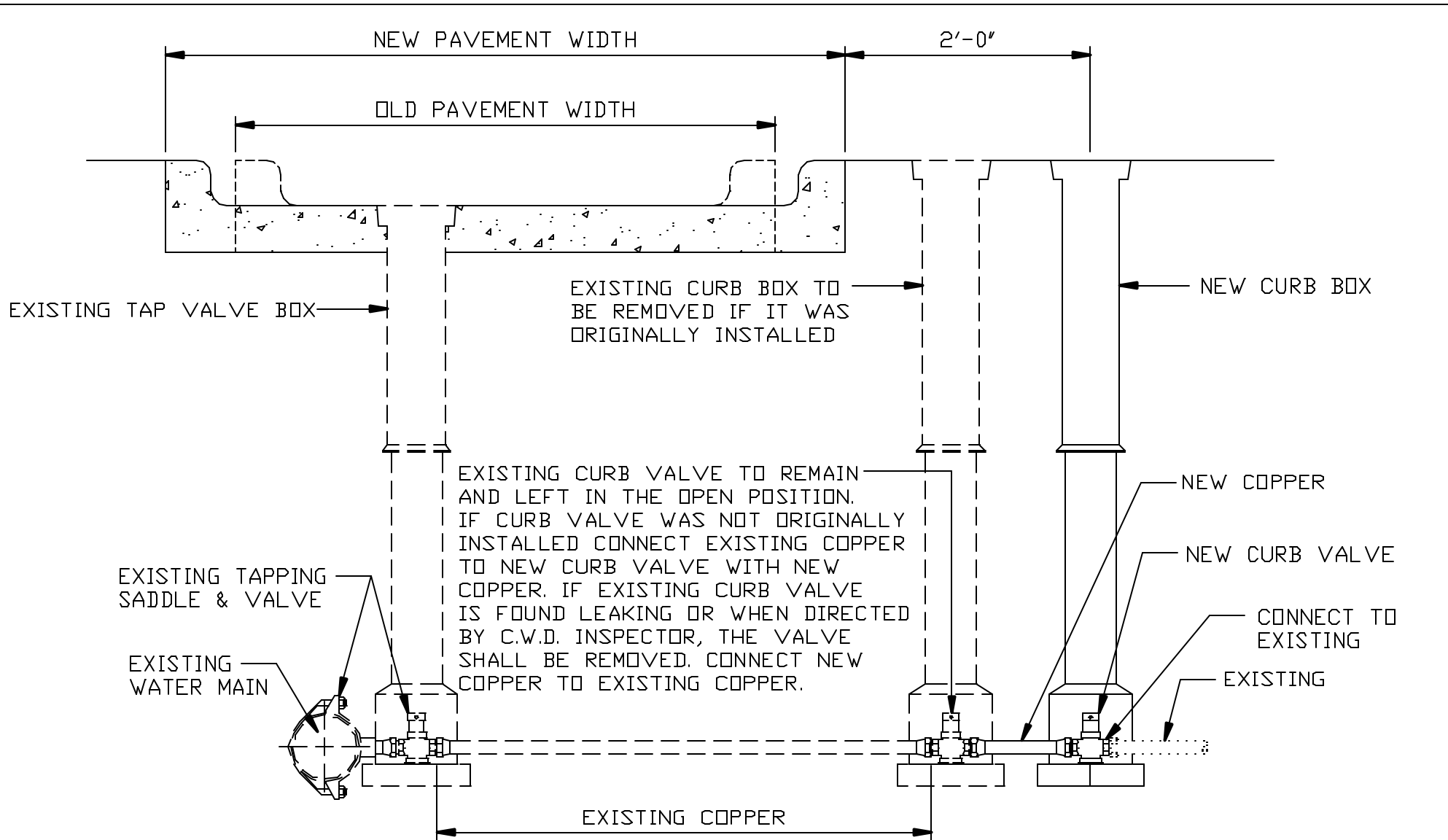
*Service Connection
Details*



NOTE: IF EXISTING SERVICE CONNECTION IS FOUND TO BE GALVANIZED OR LEAD REPLACE FROM CORPORATION STOP TO CURB VALVE.

WATER SERVICE CONNECTION EXTENSION OR REPLACEMENT FOR 1" & SMALLER

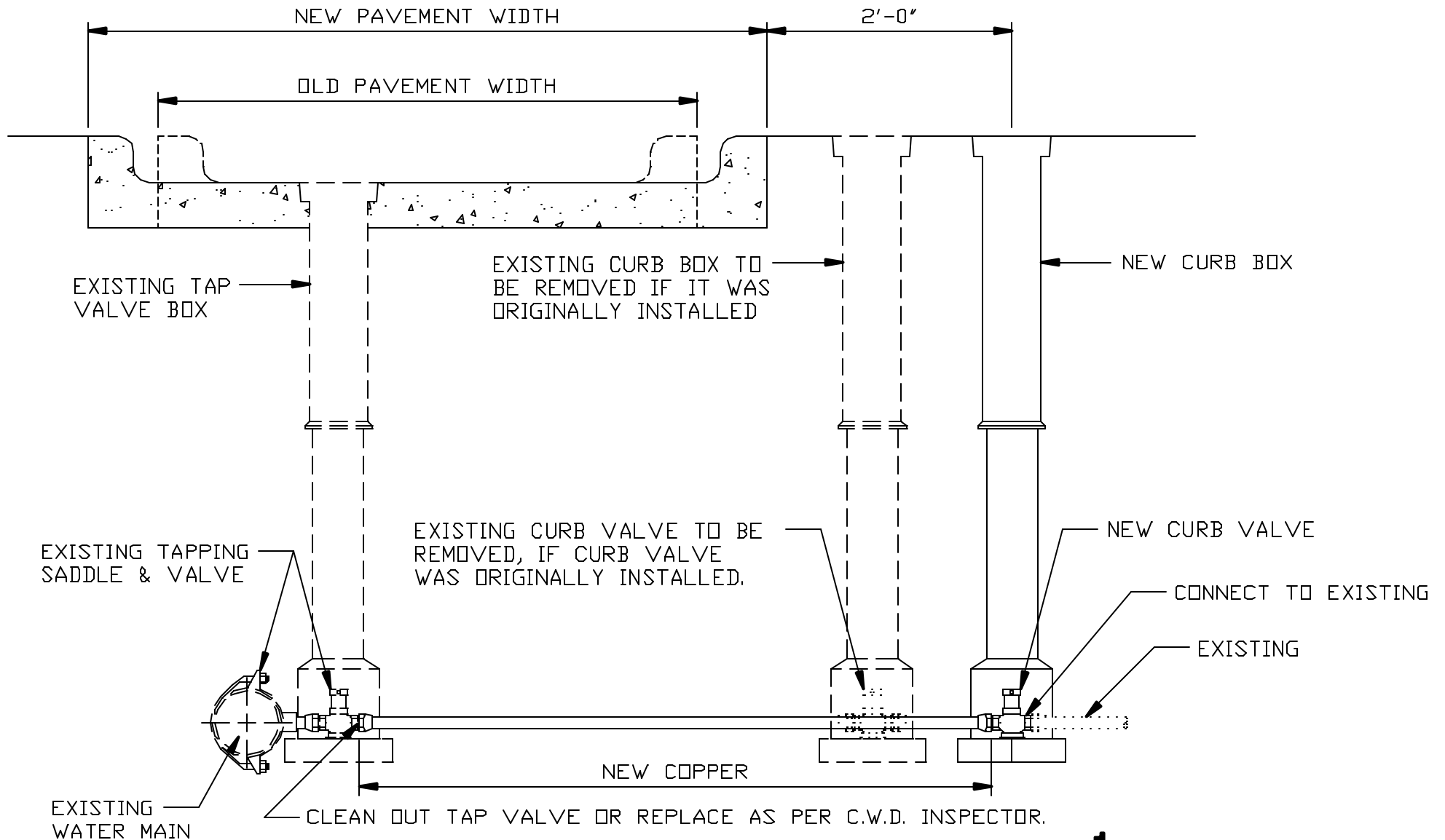
- NOT TO SCALE -



NOTE: IF EXISTING SERVICE CONNECTION IS FOUND TO BE GALVANIZED OR LEAD REPLACE FROM TAP VALVE TO CURB VALVE.

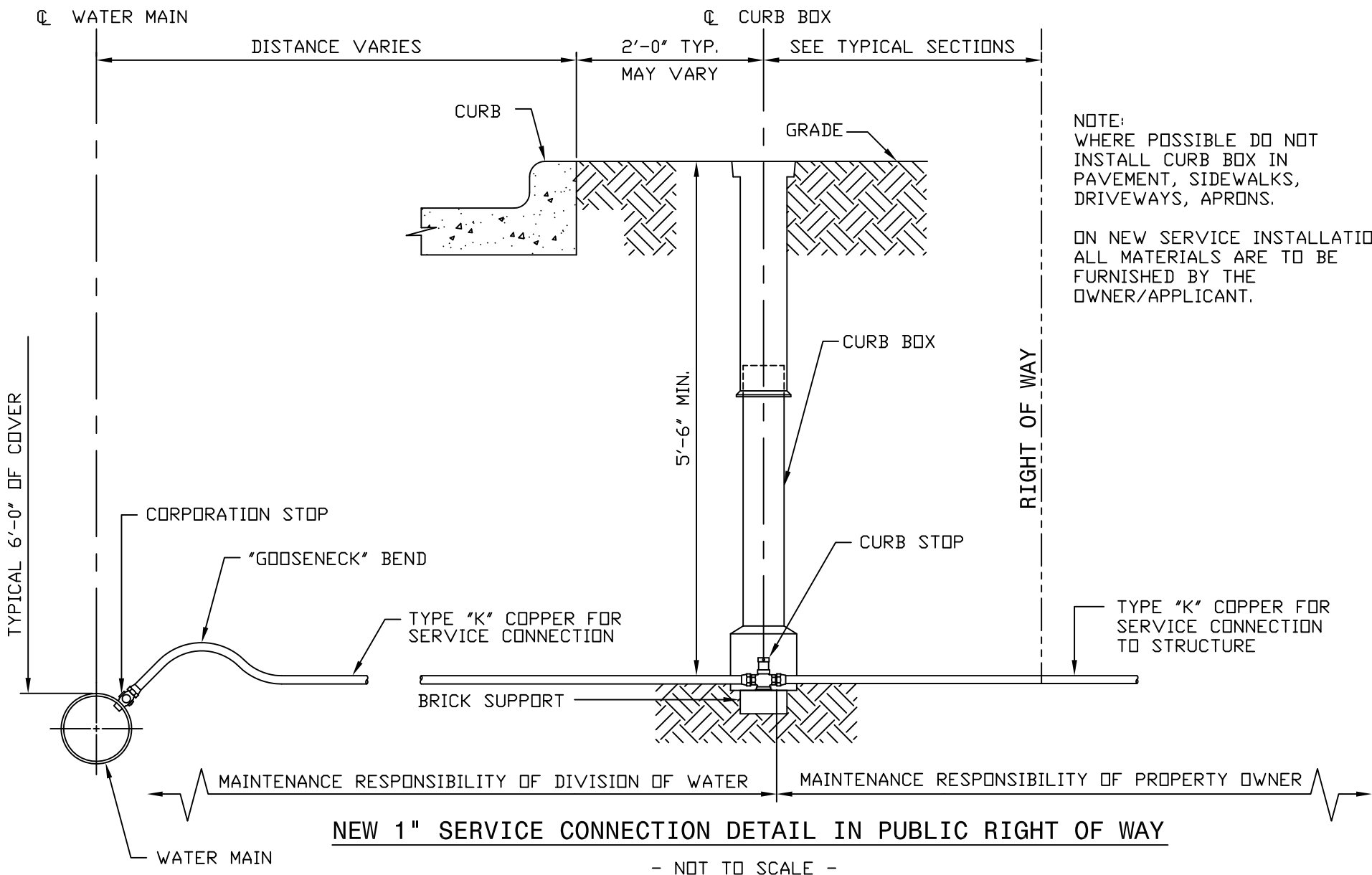
WATER SERVICE CONNECTION EXTENSION FOR 1½" & 2"

- NOT TO SCALE -



WATER SERVICE CONNECTION REPLACEMENT FOR 1½" & 2"

- NOT TO SCALE -



NEW 1" SERVICE CONNECTION DETAIL IN PUBLIC RIGHT OF WAY

- NOT TO SCALE -

RIGHT OF WAY OR EASEMENT LINE

TO WATER METER IN BUILDING No. 1 WITH REMOTE.
NOTE: IF BUILDING No. 1 IS A REAR HOUSE
(I.E. NO FRONTAGE ON THE RIGHT OF WAY),
THE WATER LINE MUST BE IN A UTILITY EASEMENT.

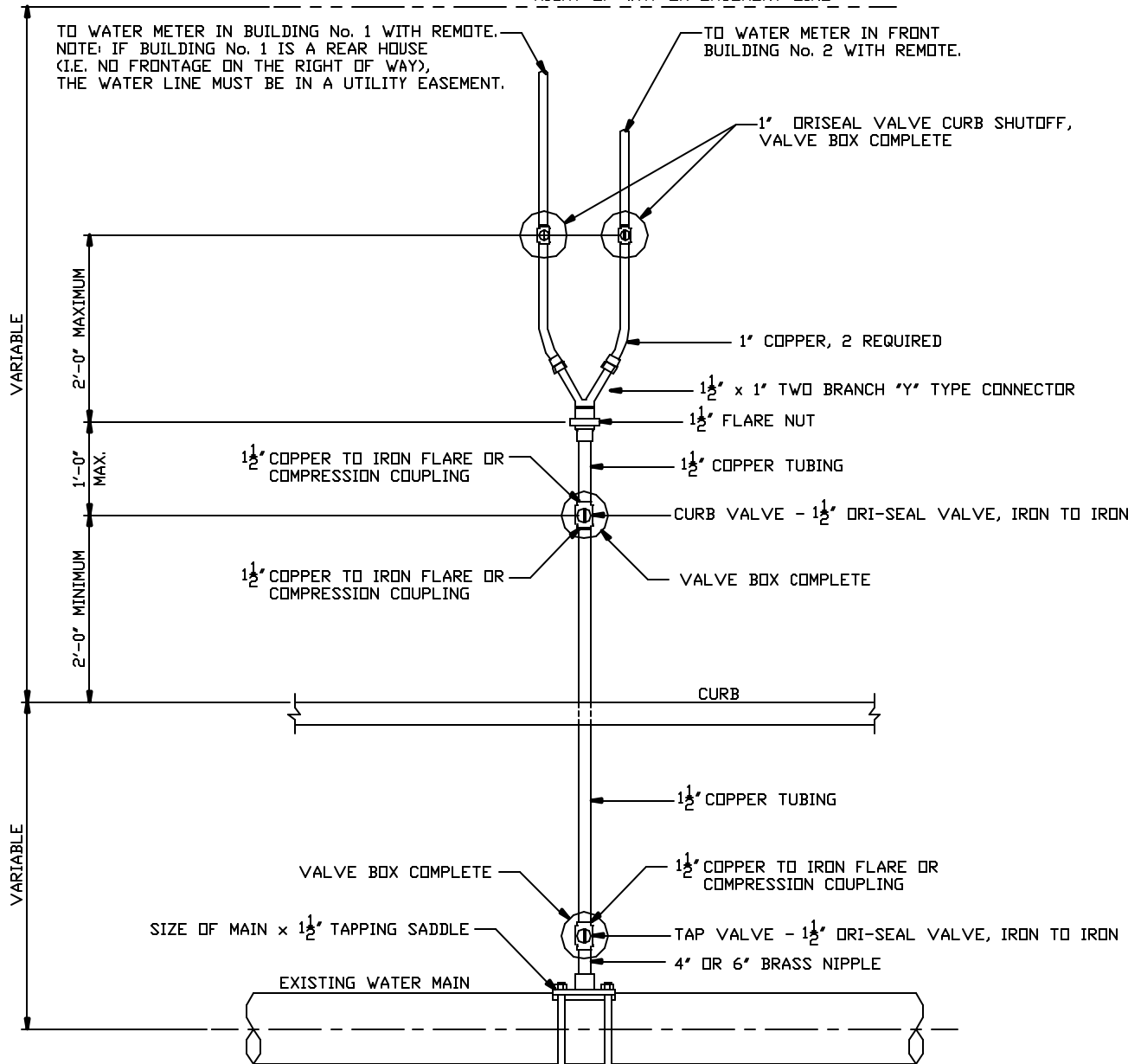
TO WATER METER IN FRONT
BUILDING No. 2 WITH REMOTE.

1" DRISEAL VALVE CURB SHUTOFF,
VALVE BOX COMPLETE

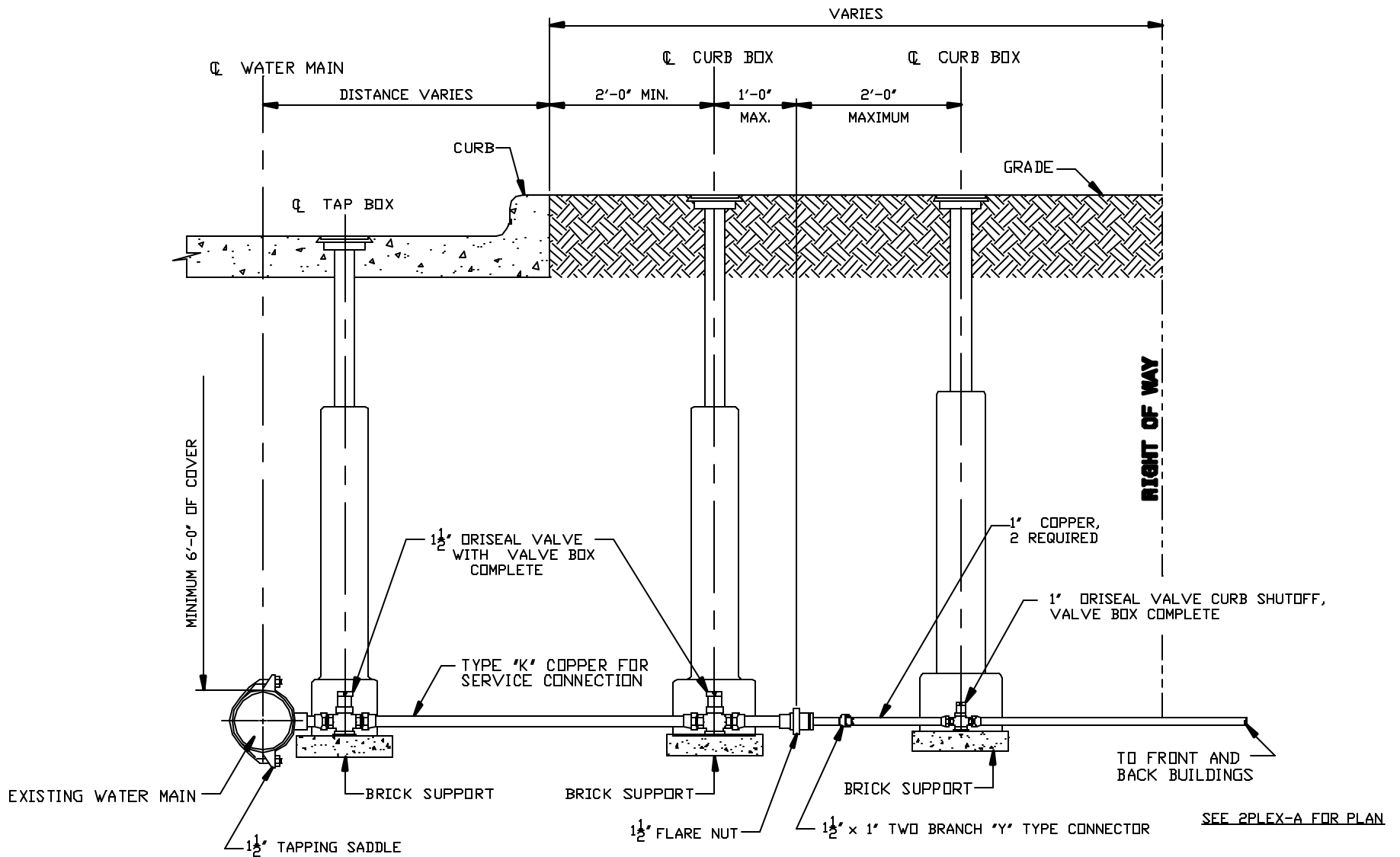
MATERIAL LIST

- (1) - 1 1/2" x 1" TWO BRANCH "Y" TYPE CONNECTOR
- (2) - 1" DRISEAL VALVE CURB SHUTOFF
- (1) - 1 1/2" DRI-SEAL CURB VALVE, IRON TO IRON
- (3) - VALVE BOX COMPLETE

SEE 2PLEX-B FOR PROFILE

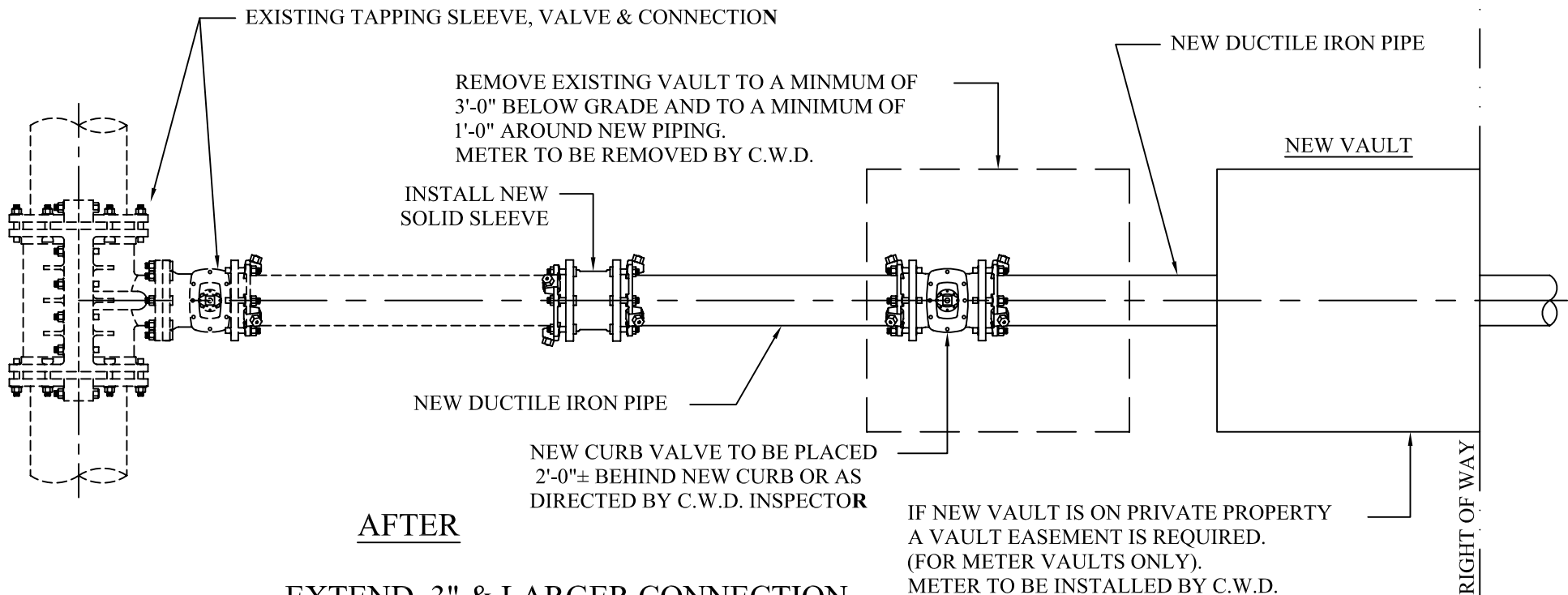
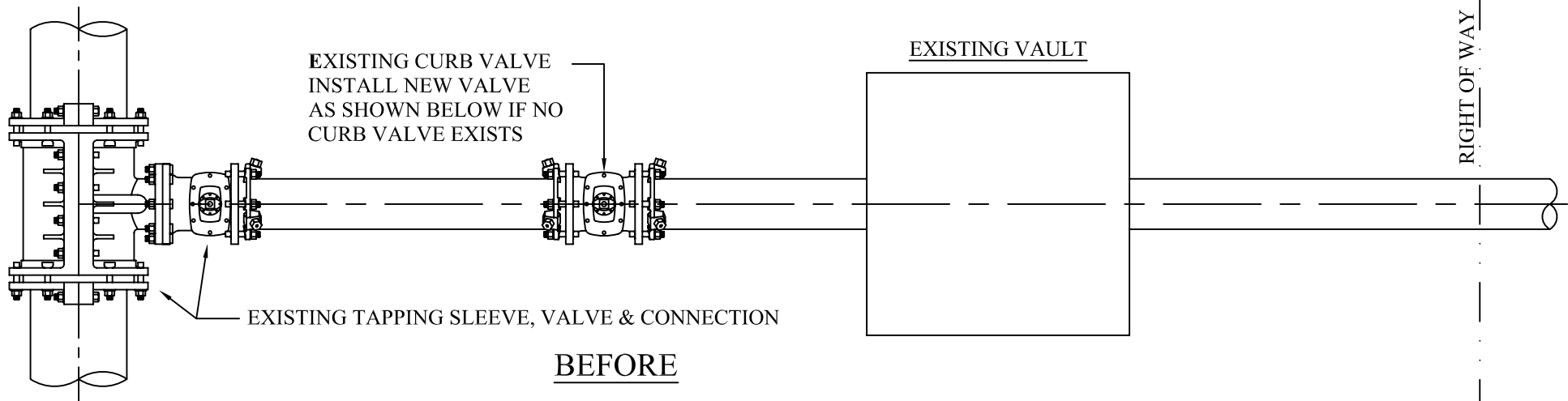


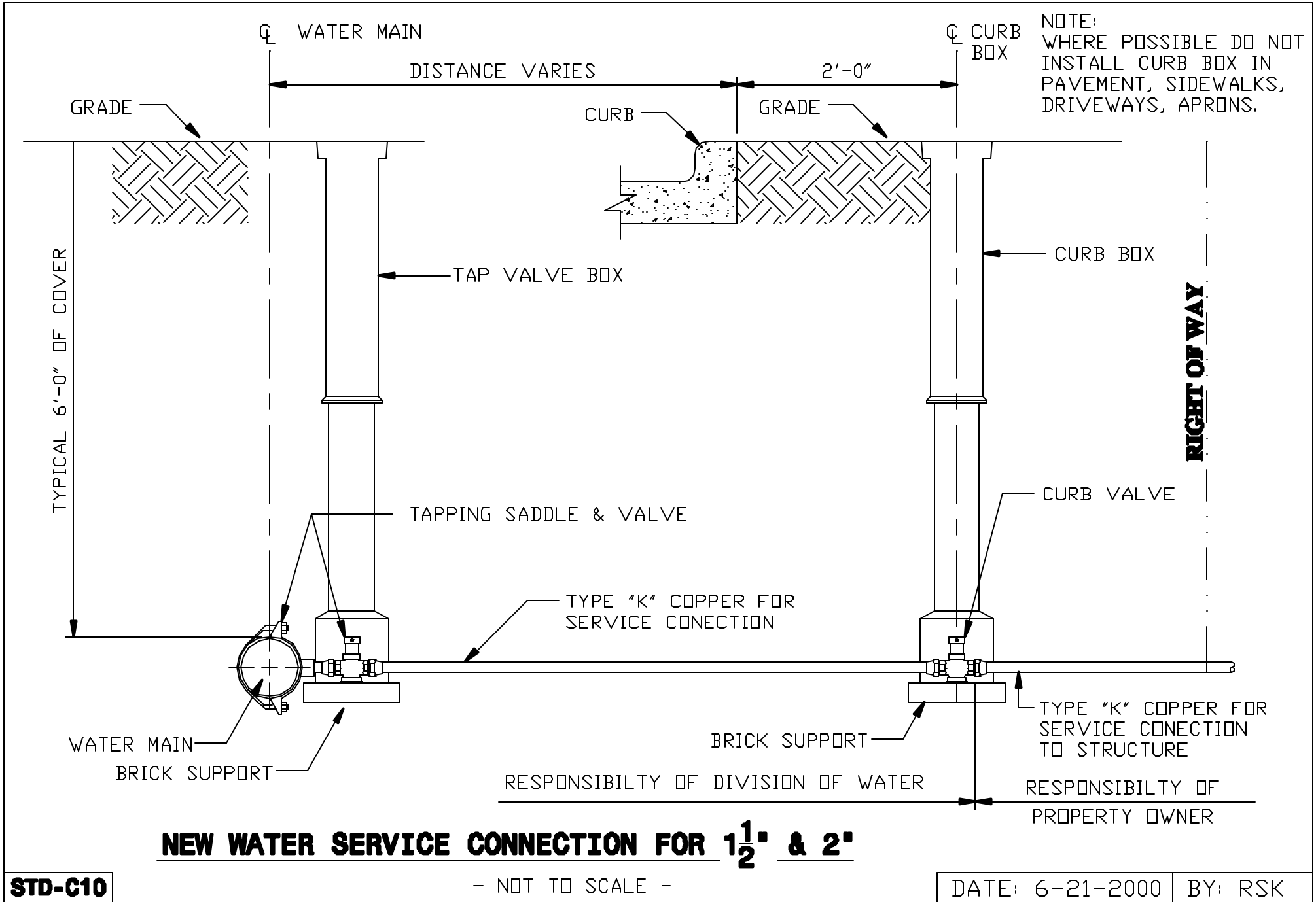
TWO-PLEX SETTING FOR REMOTE REGISTER METER AT BUILDING

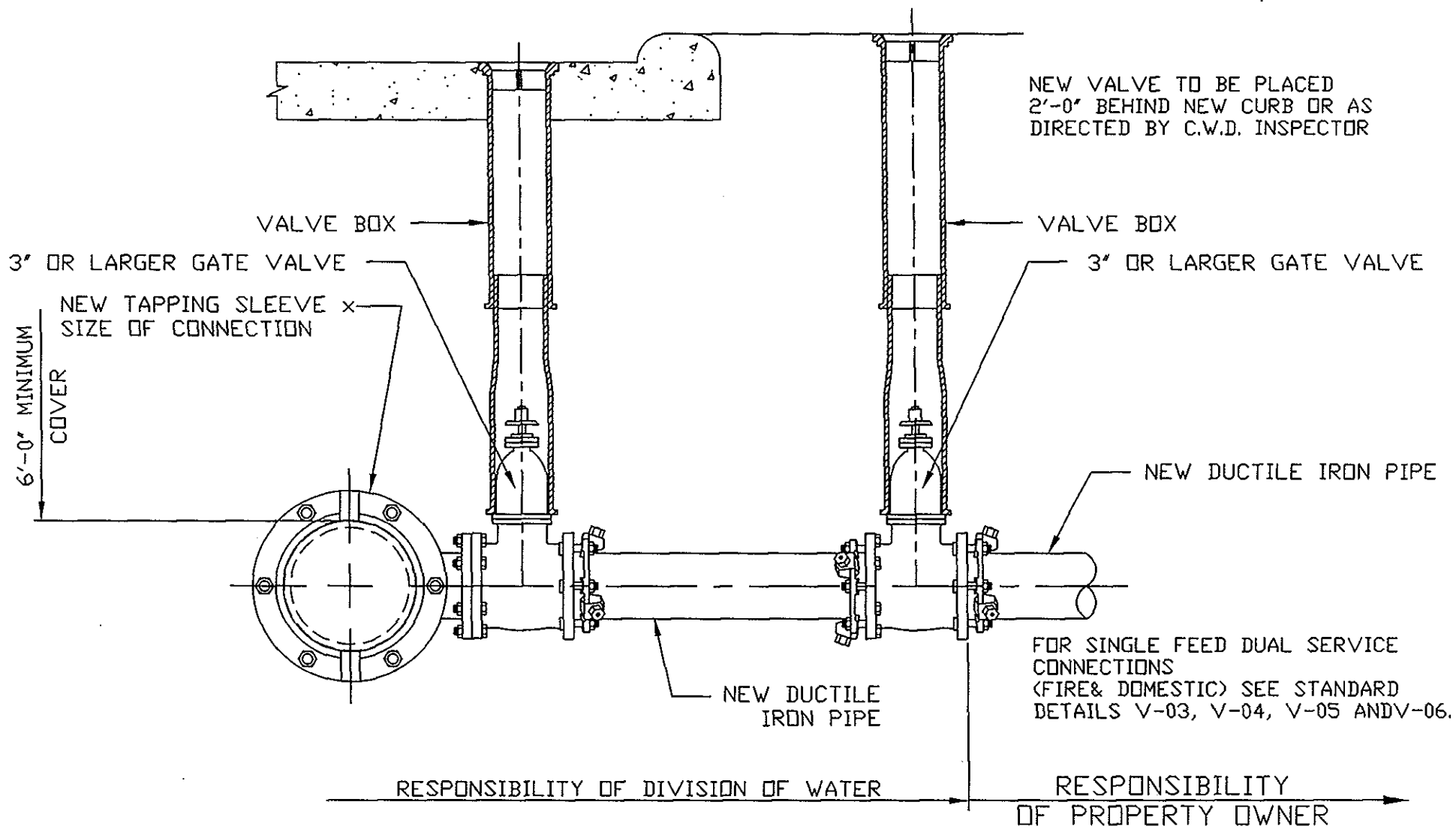


TWO-PLEX SETTING FOR REMOTE REGISTER METER AT BUILDING

- NOT TO SCALE -

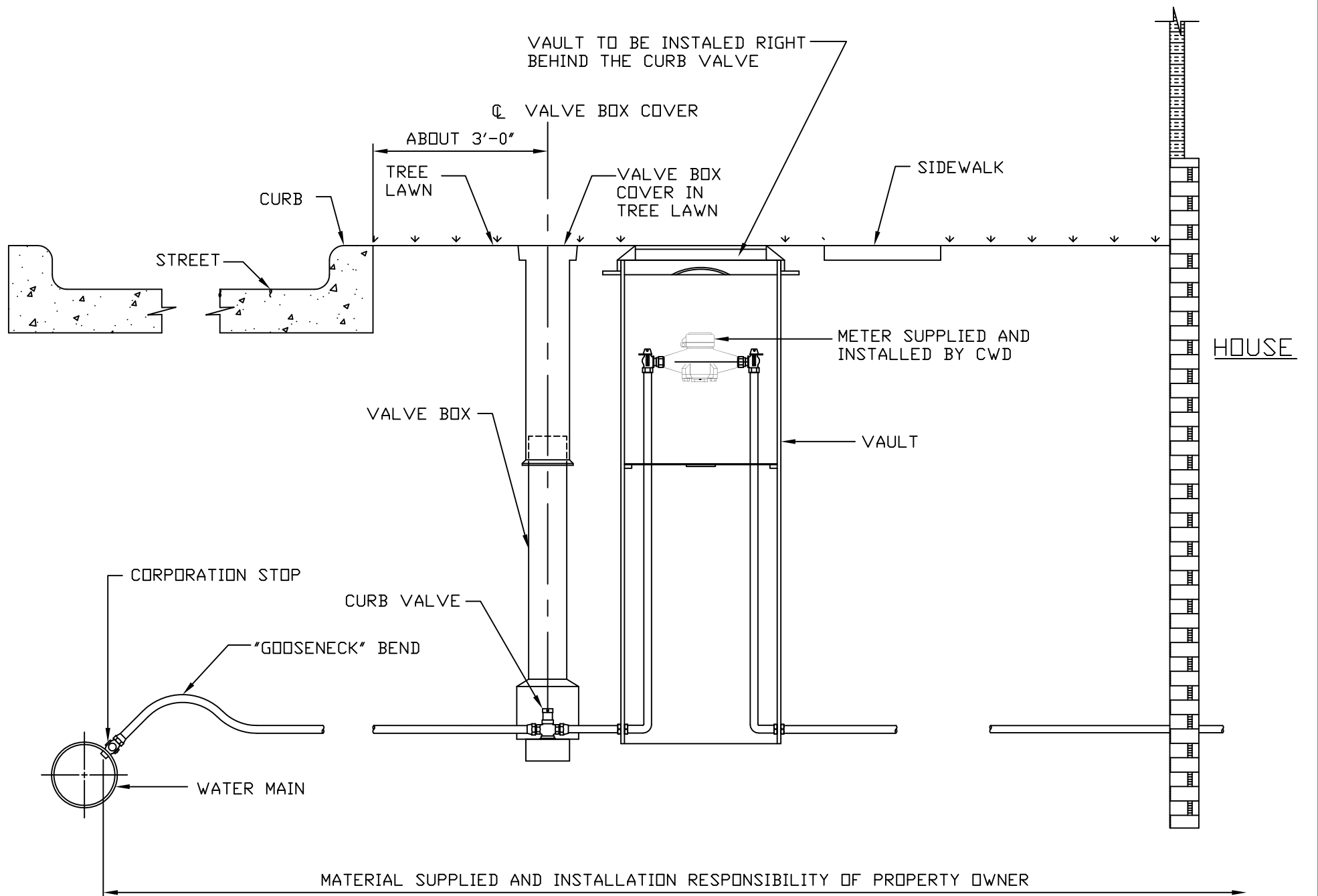






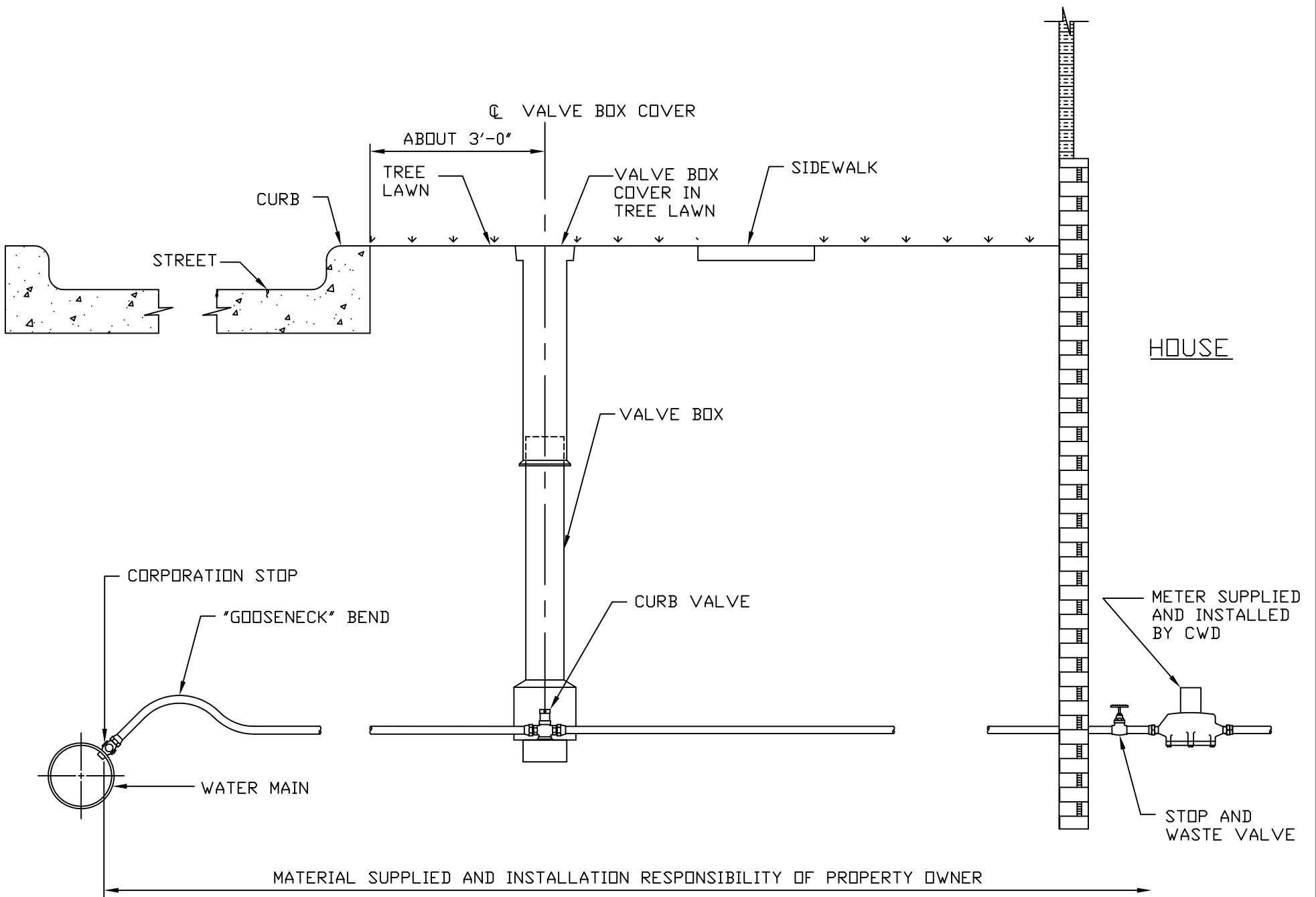
3" AND LARGER CONNECTION

- NOT TO SCALE -



RESIDENTIAL SERVICE CONNECTION INSTALLATION DETAIL WITH METER IN VAULT

- NOT TO SCALE -



RESIDENTIAL SERVICE CONNECTION INSTALLATION DETAIL WITH METER IN HOUSE

- NOT TO SCALE -

MATERIAL REQUIRED FOR INSTALLATION OF 1" CONNECTION FOR DOMESTIC SUPPLY

<u>REQUIRED</u>	<u>SIZE</u>	<u>DESCRIPTION</u>
1	1"	COPPER TO IRON FLARE CORPORATION STOP
1	1"	COPPER TO COPPER OR COPPER TO IRON FLARE CURB STOP
Xft	1"	TYPE K COPPER TUBING
2	#2	ADJUSTABLE VALVE BOX TOP
2	#2	ADJUSTABLE VALVE BOX COVER
2	#2	ADJUSTABLE VALVE BOX BOTTOM

*SOM MEAN SIZE OF MAIN

SEE DRAWING STD-V01 & STD-V02

NOTE:

A CONTINUOUS LENGTH OF COPPER IS TO BE USED BETWEEN THE CORPORATION STOP AND THE CURB STOP

8-23-2011

MATERIAL REQUIRED FOR INSTALLATION

1-1/2" CONNECTION FOR DOMESTIC SUPPLY OR FIRE PROTECTION CONNECTION

ALTERNATE #1

<u>REQUIRED</u>	<u>SIZE</u>	<u>DESCRIPTION</u>
1	SOM x 1-1/2"	STRAP SADDLE
1	1-1/2" x 6"	BRASS NIPPLE
2	1-1/2"	(IRON TO IRON) BALL TYPE VALVE
2	1-1/2"	CAST IRON COMPRESSED UNION (MALE)
X#FT	1-1/2"	COPPER TUBING
2	#2	ADJUSTABLE VALVE BOX TOP
2	#2	ADJUSTABLE VALVE BOX COVER
2	#2	ADJUSTABLE VALVE BOX BOTTOM

ALTERNATE #2

<u>REQUIRED</u>	<u>SIZE</u>	<u>DESCRIPTION</u>
1	SOM x 1-1/2"	STRAP SADDLE
2	1-1/2" x 6"	BRASS NIPPLE
2	1-1/2"	BALL TYPE VALVES - IRON TO IRON
2	1-1/2"	COMPRESSION UNION COPPER TO IRON, MALE
X#FT	1-1/2"	COPPER TUBING
2	#2	ADJUSTABLE VALVE BOX TOP
2	#2	ADJUSTABLE VALVE BOX COVER
2	#2	ADJUSTABLE VALVE BOX BOTTOM
2		STATIONARY ROD

NOTE: STATIONARY RODS (EXTENSION RODS) – FOR USE WHEN CORPORATION AND OR CURB VALVE ARE DEEPER THAN 7 FEET.

*SOM MEAN SIZE OF MAIN

SEE DRAWING STD-V01 & STD-V02

NOTE: IF CONNECTION IS TO BE LONGER THAN TWENTY FEET, ONE ADDITIONAL 1-1/2" STREAMLINE COUPLING (COPPER TO COPPER) IS TO BE ADDED FOR EACH ADDITIONAL TWENTY FOOT LENGTH OR EACH PORTION (20'-0") OVER THE INITIAL TWENTY FEET OR COMPRESSION 3 PART UNION, (COPPER TO COPPER).

8-25-2011

MATERIAL REQUIRED FOR INSTALLATION

2" CONNECTION FOR DOMESTIC SUPPLY OR FIRE PROTECTION CONNECTION

ALTERNATE #1

<u>REQUIRED</u>	<u>SIZE</u>	<u>DESCRIPTION</u>
1	SOM x 2"	STRAP SADDLE
1	2" x 6"	BRASS NIPPLE
2	2"	(IRON TO IRON) BALL TYPE VALVE
2	2"	CAST IRON COMPRESSED UNION (MALE)
X#FT	2"	COPPER TUBING
2	#2	ADJUSTABLE VALVE BOX TOP
2	#2	ADJUSTABLE VALVE BOX COVER
2	#2	ADJUSTABLE VALVE BOX BOTTOM

ALTERNATE #2

<u>REQUIRED</u>	<u>SIZE</u>	<u>DESCRIPTION</u>
1	SOM x 2"	STRAP SADDLE
2	2" x 6"	BRASS NIPPLE
2	2"	BALL TYPE VALVES - IRON TO IRON
2	2"	COMPRESSION UNION COPPER TO IRON, MALE
X# FT	2"	COPPER TUBING
2	#2	ADJUSTABLE VALVE BOX TOP
2	#2	ADJUSTABLE VALVE BOX COVER
2	#2	ADJUSTABLE VALVE BOX BOTTOM
2		STATIONARY ROD

NOTE: STATIONARY RODS (EXTENSION RODS) – FOR USE WHEN CORPORATION AND OR CURB VALVE ARE DEEPER THAN 7 FEET.

*SOM MEAN SIZE OF MAIN

SEE DRAWING STD-V01 & STD-V02

NOTE: IF CONNECTION IS TO BE LONGER THAN TWENTY FEET, ONE ADDITIONAL 2" STREAMLINE COUPLING (COPPER TO COPPER) IS TO BE ADDED FOR EACH ADDITIONAL TWENTY FOOT LENGTH OR EACH PORTION (20'-0") OVER THE INITIAL TWENTY FEET OR COMPRESSION 3 PART UNION, (COPPER TO COPPER).

8-25-2011

MATERIALS REQUIRED FOR INSTALLATION

3" CONNECTION FOR DOMESTIC SUPPLY OR FIRE PROTECTION CONNECTION

<u>REQUIRED</u>	<u>SIZE</u>	<u>DESCRIPTION</u>
1	SOM x 3"	TAPPING SLEEVE - (SQUARE SEAL OR MECHANICAL JOINT)
1	3"	CAST IRON TAP VALVE WITH MECHANICAL JOINT OUTLET
1	3"	CAST IRON GATE VALVE WITH MECHANICAL JOINT ENDS
2	#2	ADJUSTABLE VALVE BOX TOP
2	#2	ADJUSTABLE VALVE BOX COVER
2	#2	ADJUSTABLE VALVE BOX BOTTOM
X#FT	3"	DUCTILE IRON CLASS 52 CEMENT LINED PIPE
1	3"	CONNECTION PIECE, FLANGE & BELL <u>OR</u>
1	3"	CONNECTION PIECE, FLANGE & SPIGOT <u>OR</u>
1	3"	FLANGED COUPLING ADAPTER

*SOM MEANS SIZE OF MAIN

SEE DRAWING STD-V01 & STD-V02

10-1-97

MATERIALS REQUIRED FOR INSTALLATION

4" CONNECTION FOR DOMESTIC SUPPLY OR FIRE PROTECTION CONNECTION

<u>REQUIRED</u>	<u>SIZE</u>	<u>DESCRIPTION</u>
1	SOM x 4"	TAPPING SLEEVE - (SQUARE SEAL OR MECHANICAL JOINT)
1	4"	CAST IRON TAP VALVE WITH MECHANICAL JOINT OUTLET
1	4"	CAST IRON GATE VALVE WITH MECHANICAL JOINT ENDS
2	#2	ADJUSTABLE VALVE BOX TOP
2	#2	ADJUSTABLE VALVE BOX COVER
2	#2	ADJUSTABLE VALVE BOX BOTTOM
X#FT	4"	DUCTILE IRON CLASS 52 CEMENT LINED PIPE
1	4"	CONNECTION PIECE, FLANGE & BELL <u>OR</u>
1	4"	CONNECTION PIECE, FLANGE & SPIGOT <u>OR</u>
1	4"	FLANGED COUPLING ADAPTER

*SOM MEANS SIZE OF MAIN

SEE DRAWING STD-V01 & STD-V02

10-1-97

MATERIALS REQUIRED FOR INSTALLATION

6" CONNECTION FOR DOMESTIC SUPPLY OR FIRE PROTECTION CONNECTION

<u>REQUIRED</u>	<u>SIZE</u>	<u>DESCRIPTION</u>
1	SOM x 6"	TAPPING SLEEVE - (SQUARE SEAL OR MECHANICAL JOINT)
1	6"	CAST IRON TAP VALVE WITH MECHANICAL JOINT OUTLET
1	6"	CAST IRON GATE VALVE WITH MECHANICAL JOINT ENDS
2	#2	ADJUSTABLE VALVE BOX TOP
2	#2	ADJUSTABLE VALVE BOX COVER
2	#2	ADJUSTABLE VALVE BOC BOTTOM
X#FT	6"	DUCTILE IRON CLASS 52 CEMENT LINED PIPE
1	6"	CONNECTION PIECE, FLANGE & BELL <u>OR</u>
1	6"	CONNECTION PIECE, FLANGE & SPIGOT <u>OR</u>
1	6"	FLANGED COUPLING ADAPTER

*SOM MEANS SIZE OF MAIN

SEE DRAWING STD-V01 & STD-V02

10-1-97

MATERIALS REQUIRED FOR INSTALLATION

8" CONNECTION FOR DOMESTIC SUPPLY OR FIRE PROTECTION CONNECTION

<u>REQUIRED</u>	<u>SIZE</u>	<u>DESCRIPTION</u>
1	SOM x 8"	TAPPING SLEEVE - (SQUARE SEAL OR MECHANICAL JOINT)
1	8"	CAST IRON TAP VALVE WITH MECHANICAL JOINT OUTLET
1	8"	CAST IRON GATE VALVE WITH MECHANICAL JOINT ENDS
2	#2	ADJUSTABLE VALVE BOX TOP
2	#2	ADJUSTABLE VALVE BOX COVER
2	#2	ADJUSTABLE VALVE BOX BOTTOM
X#FT	8"	DUCTILE IRON CLASS 52 CEMENT LINED PIPE
1	8"	CONNECTION PIECE, FLANGE & BELL <u>OR</u>
1	8"	CONNECTION PIECE, FLANGE & SPIGOT <u>OR</u>
1	8"	FLANGED COUPLING ADAPTER

*SOM MEANS SIZE OF MAIN

SEE DRAWING STD-V01 & STD-V02

10-1-97

MATERIALS REQUIRED FOR INSTALLATION

10" CONNECTION FOR DOMESTIC SUPPLY OR FIRE PROTECTION CONNECTION

<u>REQUIRED</u>	<u>SIZE</u>	<u>DESCRIPTION</u>
1	SOM x 10"	TAPPING SLEEVE - (SQUARE SEAL OR MECHANICAL JOINT)
1	10"	CAST IRON TAP VALVE WITH MECHANICAL JOINT OUTLET
1	10"	CAST IRON GATE VALVE WITH MECHANICAL JOINT ENDS
2	#2	ADJUSTABLE VALVE BOX TOP
2	#2	ADJUSTABLE VALVE BOX COVER
2	#2	ADJUSTABLE VALVE BOC BOTTOM
X#FT	10"	DUCTILE IRON CLASS 52 CEMENT LINED PIPE
1	10"	CONNECTION PIECE, FLANGE & BELL <u>OR</u>
1	10"	CONNECTION PIECE, FLANGE & SPIGOT <u>OR</u>
1	10"	FLANGED COUPLING ADAPTER

*SOM MEANS SIZE OF MAIN

SEE DRAWING STD-V01 & STD-V02

8-23-2011

MATERIALS REQUIRED FOR INSTALLATION

12" CONNECTION FOR DOMESTIC SUPPLY OR FIRE PROTECTION CONNECTION

<u>REQUIRED</u>	<u>SIZE</u>	<u>DESCRIPTION</u>
1	SOM x 12"	TAPPING SLEEVE - (SQUARE SEAL OR MECHANICAL JOINT)
1	12"	CAST IRON TAP VALVE WITH MECHANICAL JOINT OUTLET
1	12"	CAST IRON GATE VALVE WITH MECHANICAL JOINT ENDS
2	#2	ADJUSTABLE VALVE BOX TOP
2	#2	ADJUSTABLE VALVE BOX COVER
2	#2	ADJUSTABLE VALVE BOX BOTTOM
X#FT	12"	DUCTILE IRON CLASS 52 CEMENT LINED PIPE
1	12"	CONNECTION PIECE, FLANGE & BELL <u>OR</u>
1	12"	CONNECTION PIECE, FLANGE & SPIGOT <u>OR</u>
1	12"	FLANGED COUPLING ADAPTER

*SOM MEANS SIZE OF MAIN

SEE DRAWING STD-V01 & STD-V02

10-1-97