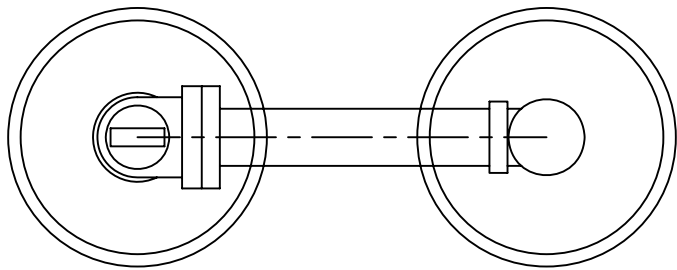
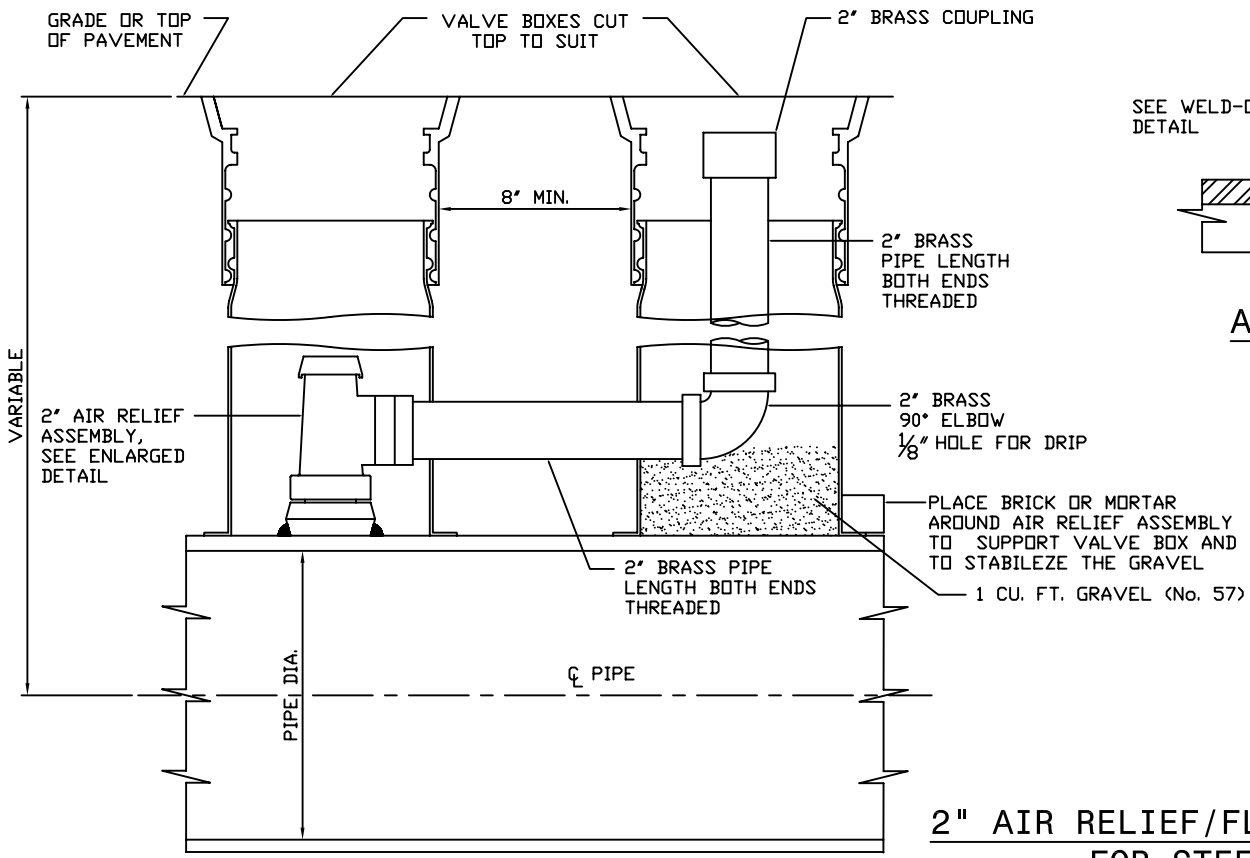


CLEVELAND DIVISION  
OF WATER  
CONSTRUCTION  
STANDARDS

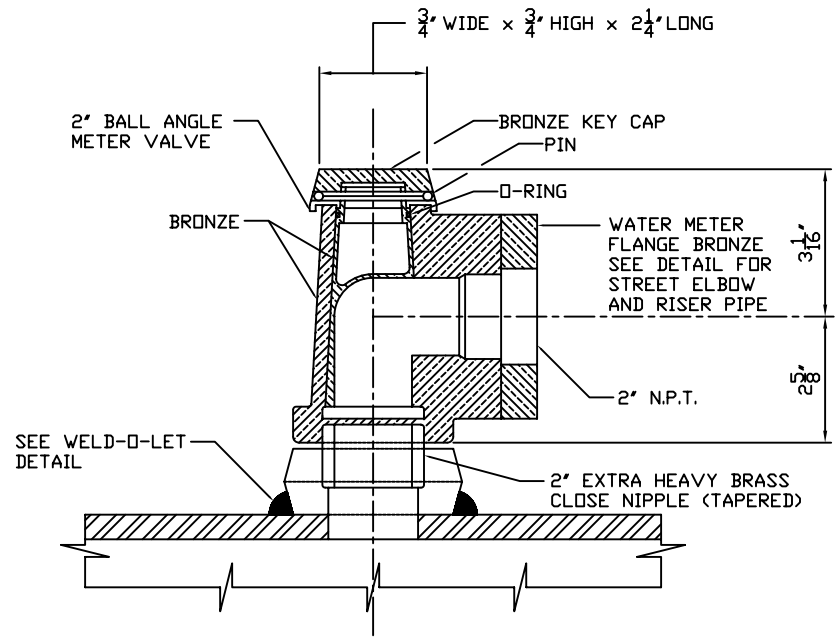
*Air Relief Details*



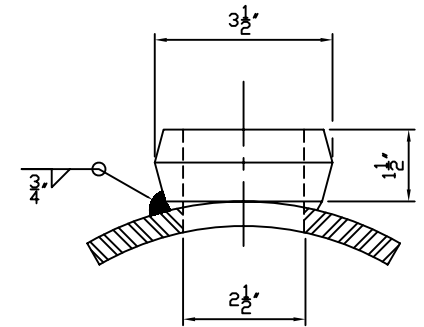
NOTE: AIR RELIEF VALVE BOX(ES) INSTALLED ON BRIDGE DECK(S) SHALL HAVE INTEGRAL, OR FABRICATED AND SECURELY FASTENED, LUGS OR A RING WHICH WILL ANCHOR THE BOX(ES) INTO THE DECK SLAB, AS APPROVED BY THE ENGINEER.



**DOUBLE VALVE BOX ASSEMBLY**

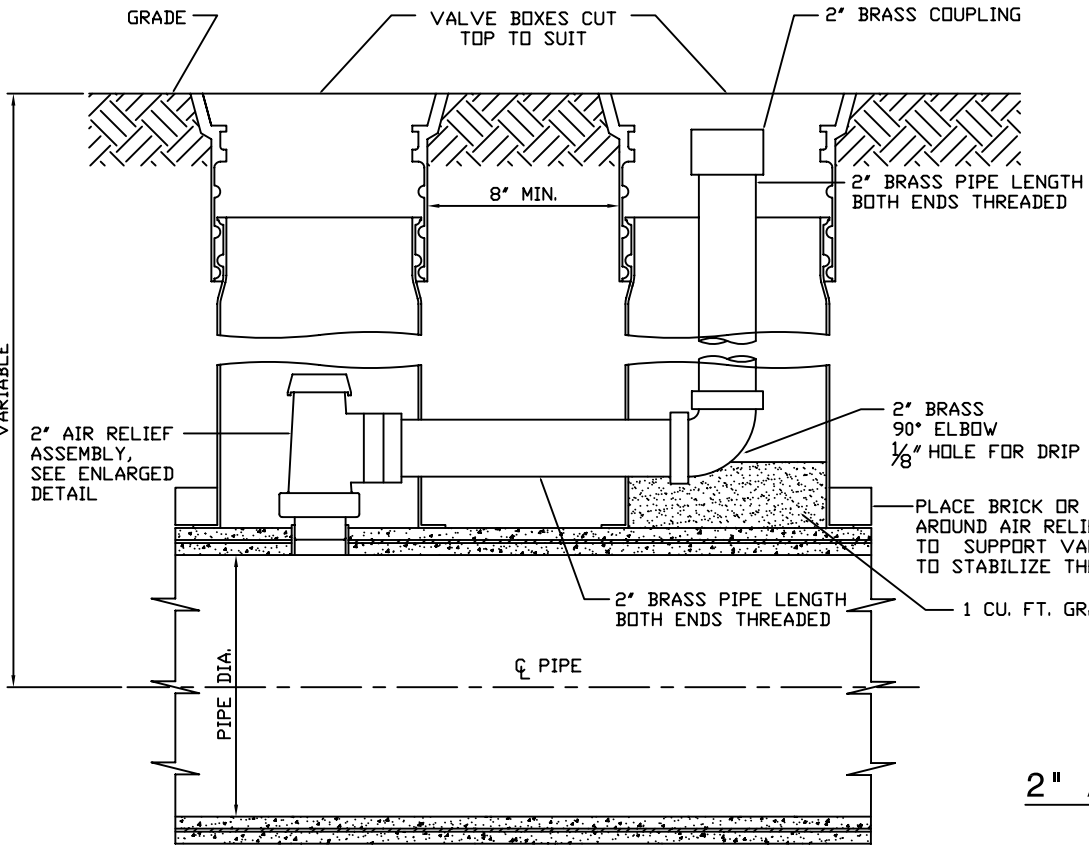
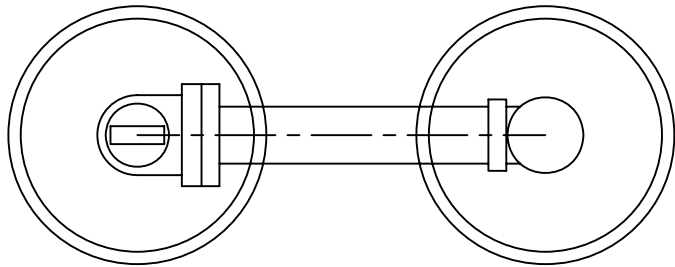


**AIR RELIEF VALVE ASSEMBLY**

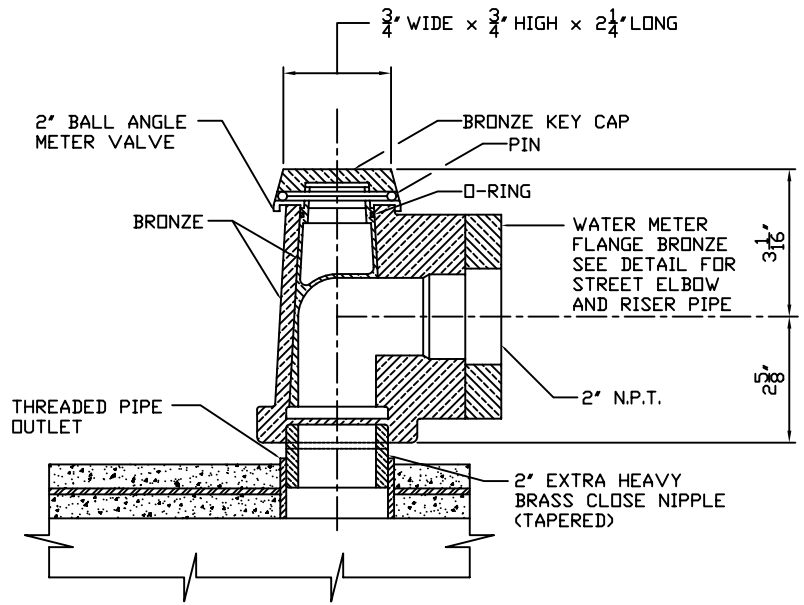


**WELD-O-LET DETAIL**

**2" AIR RELIEF/FLUSHING OUTLET VALVE FOR STEEL WATER MAINS**

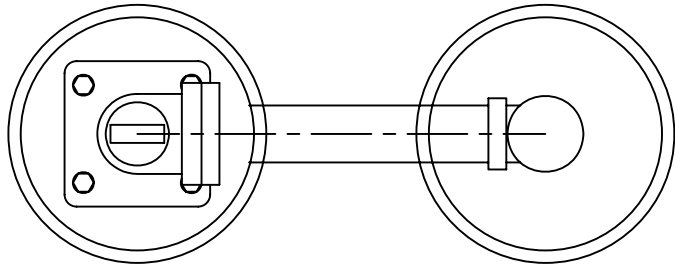


**DOUBLE VALVE BOX ASSEMBLY**



**AIR RELIEF VALVE ASSEMBLY**

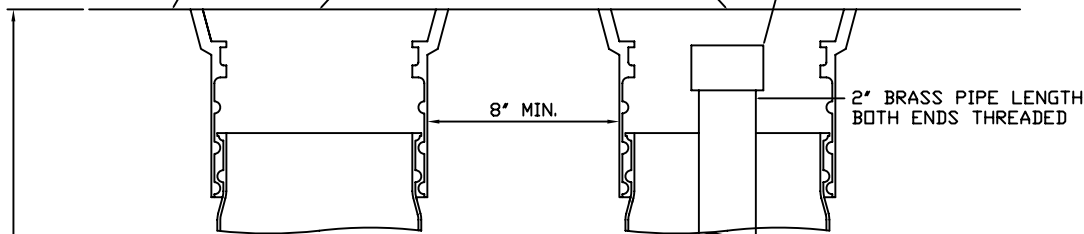
**2" AIR RELIEF/FLUSHING OUTLET VALVE FOR CONCRETE WATER MAINS**



GRADE OR TOP OF PAVEMENT

VALVE BOXES CUT TOP TO SUIT

2" BRASS COUPLING



VARIABLE

2" AIR RELIEF ASSEMBLY, SEE ENLARGED DETAIL

2" TAPPING SADDLE FOR DUCTILE IRON

2" BRASS 90° ELBOW 1/8" HOLE FOR DRIP

PLACE BRICK OR MORTAR AROUND AIR RELIEF ASSEMBLY TO SUPPORT VALVE BOX AND TO STABILIZE THE GRAVEL

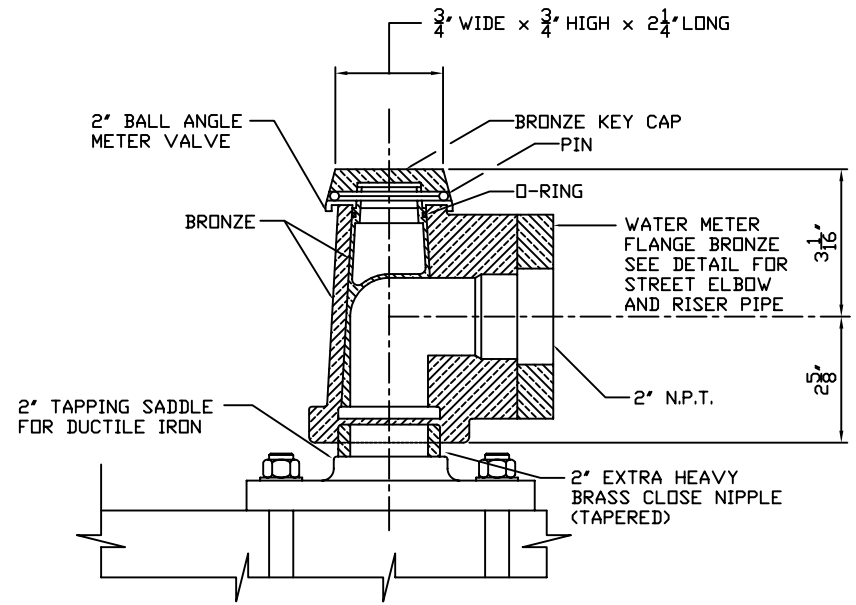
1 CU. FT. GRAVEL (No. 57)

2" BRASS PIPE LENGTH BOTH ENDS THREADED

PIPE

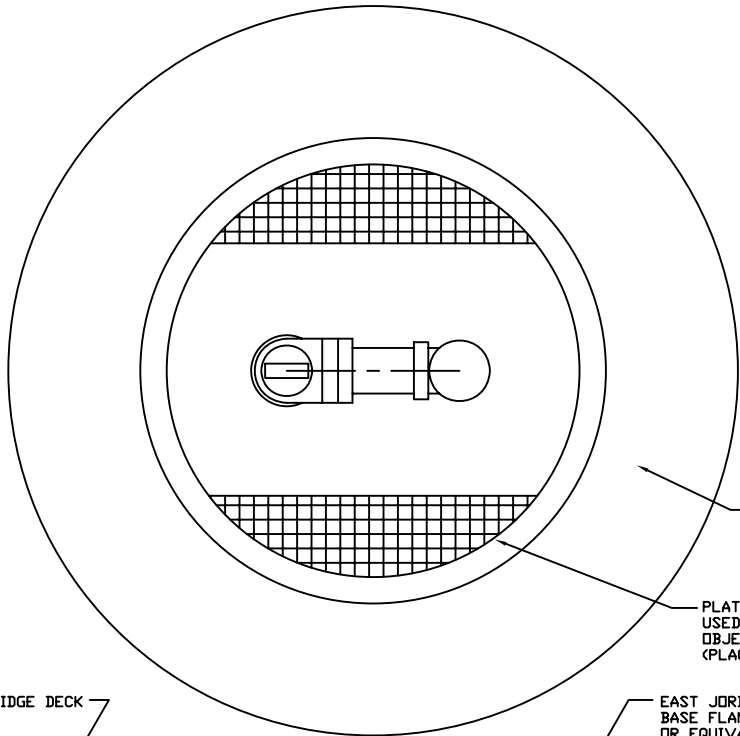
PIPE DIAMETER

**DOUBLE VALVE BOX ASSEMBLY**



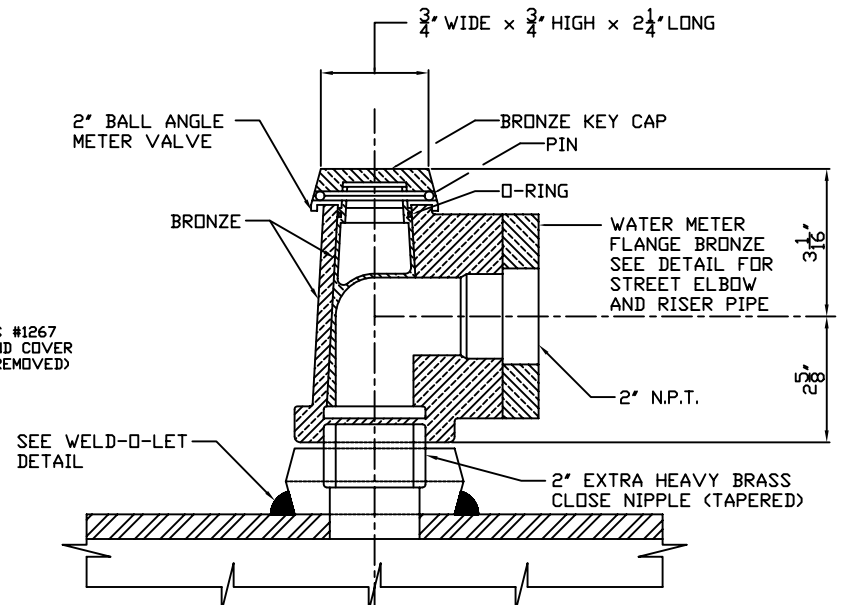
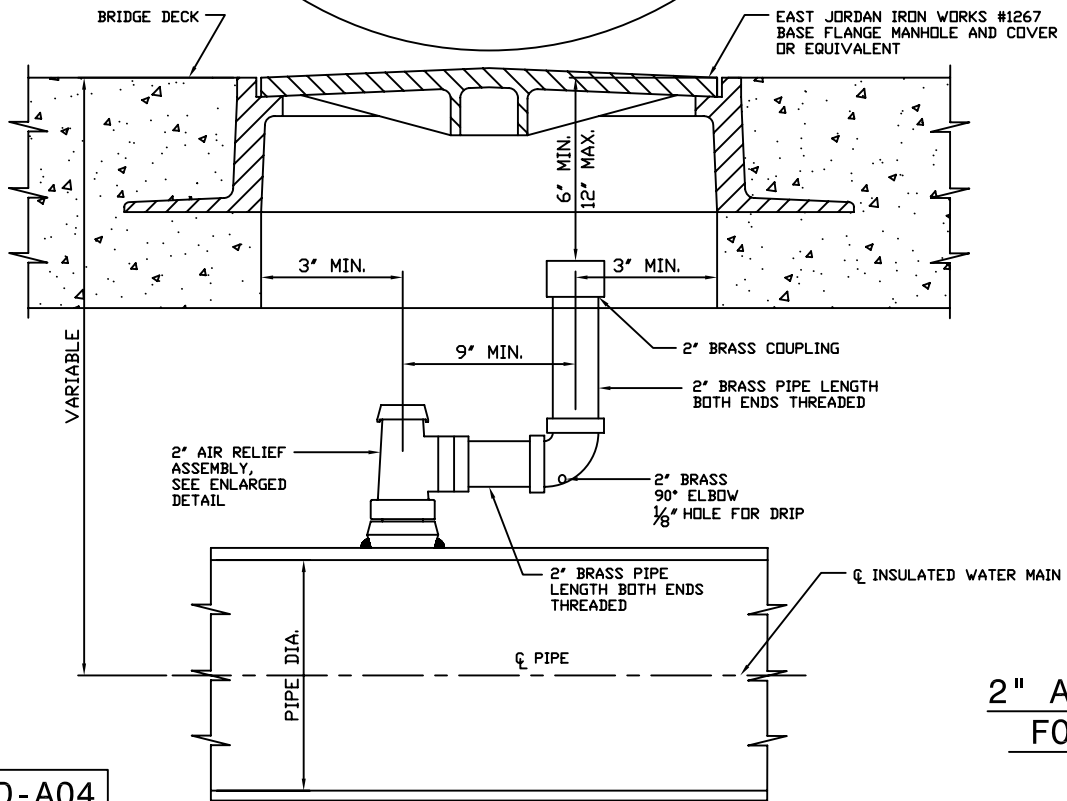
**AIR RELIEF VALVE ASSEMBLY**

**2" AIR RELIEF/FLUSHING OUTLET VALVE FOR DUCTILE IRON WATER MAINS**



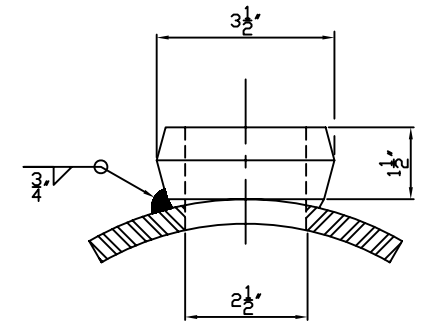
EAST JORDAN IRON WORKS #1267  
BASE FLANGE MANHOLE AND COVER  
OR EQUIVALENT (COVER REMOVED)

PLATFORM OR NETTING/MESH  
USED TO STOP DROPPED  
OBJECTS OR TOOLS.  
(PLACED BELOW WATERMAIN).



**AIR RELIEF VALVE ASSEMBLY**

AIR RELIEF ASSEMBLY IS TO BE LOCATED AT  
THE HIGH POINT OF WATER MAIN ON BRIDGE.



**WELD-O-LET DETAIL**

**2" AIR RELIEF/FLUSHING OUTLET VALVE  
FOR STEEL WATER MAINS ON BRIDGES**